

☑ SHT60

☑ SHT85

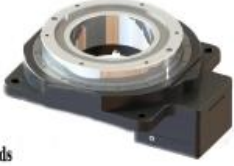
☑ SHT130

☑ SHT200

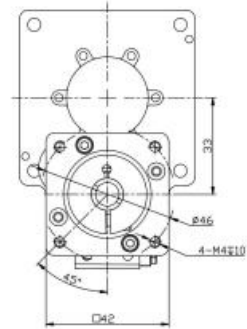
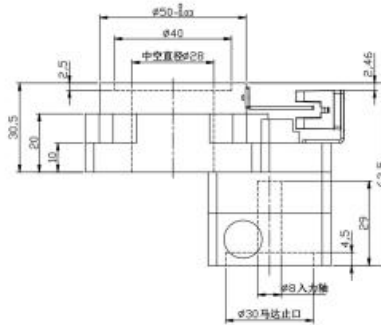
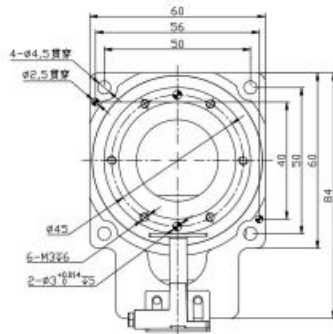
☑ SHT280

Order model

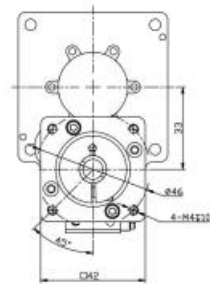
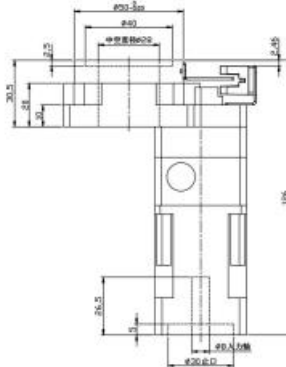
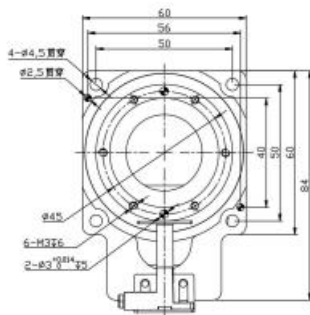
Specifications	structural form	reduction ratio	Motor specifications
SHT 60	None: Standard type Z: Right angle type P: Planetary style	-05K-	V1
60 85 130 200 280 450			V1: servo $\varnothing 8$ PCD45, M3 V2: servo $\varnothing 8$ PCD46, M4 Compatible with 50-100W AC motors from various brands T1: step $\varnothing 5$ PCD43.8, M3 T2: step $\varnothing 5$ PCD43.8, M3 Suitable for various brands of 42 type stepper motors



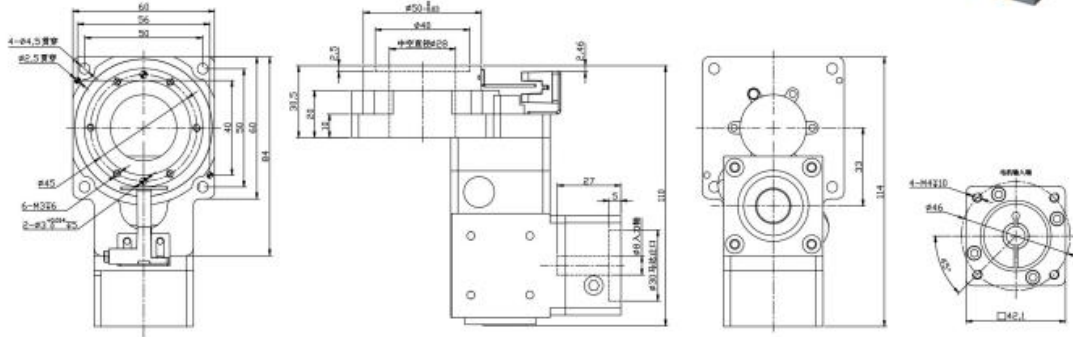
◆ SHT60-05K



◆ SHT60P-20K

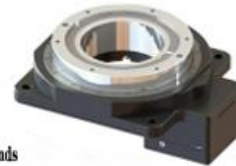


◆ SHT60Z-15K

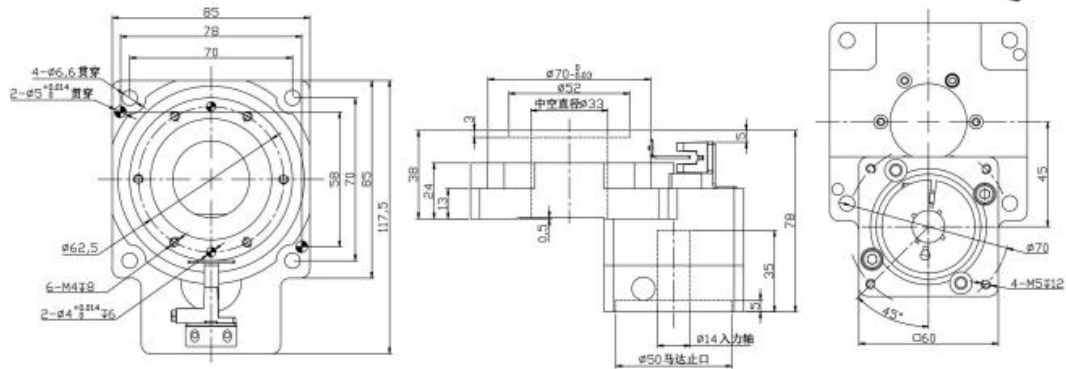


Order model

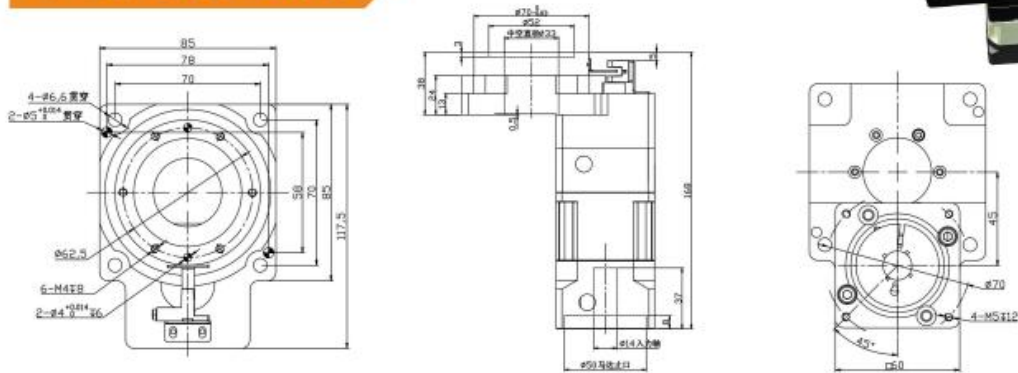
Specifications	structural form	reduction ratio	Motor specifications
SHT	85	-05K-	V1
60	None: Standard type		V1: servo $\phi 14$ PCD70, M4
85	Z: Right angle type		V2: servo $\phi 14$ PCD70, M5
130	P: Planetary style		Compatible with 200-400W AC motors from various brands
200			T1: step $\phi 6.35$ PCD66.67, M4
280			T2: step $\phi 6.35$ PCD70.7, M4
450			Suitable for various brands of 57-60 type stepper motors



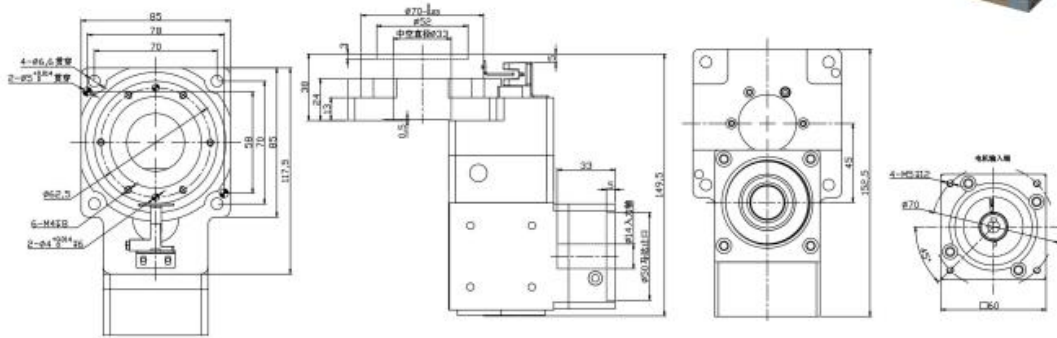
◆ SHT85-05K



◆ SHT85P-20K

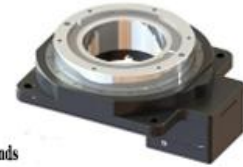


◆ SHT85Z-15K



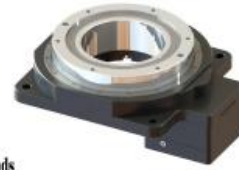
Order model

Specifications	structural form	reduction ratio	Motor specifications
SHT 130		10K	V1
60	None: Standard type		V1: servo ø14 PCD70, M4
85	Z: Right angle type		V2: servo ø14 PCD70, M5
130	P: Planetary style		Compatible with 200-400W AC motors from various brands
200			T1: step ø6.35 PCD66.67, M4
280			T2: step ø6.35 PCD70.7, M4
450			Suitable for various brands of 57-60 type stepper motors

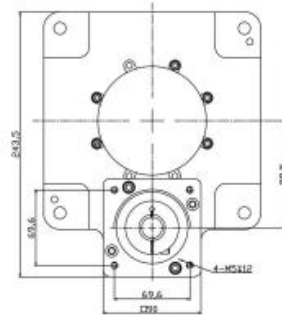
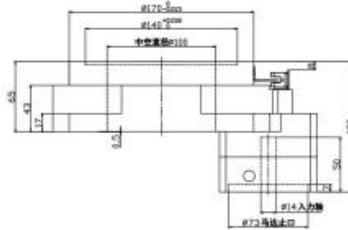
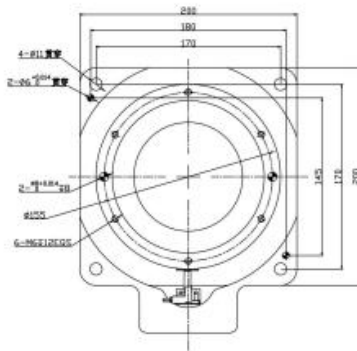


Order model

Specifications	structural form	reduction ratio	Motor specifications
SHT	200	- 10K -	V1
60	None: Standard type		V1: servo $\varnothing 19$ PCD90, M5
85	Z: Right angle type		V2: servo $\varnothing 19$ PCD90, M6
130	P: Planetary style		Compatible with 750W AC motors from various brands
200			T1: step $\varnothing 14$ PCD98.4, M5
280			T2: step $\varnothing 14$ PCD98.4, M6
450			Suitable for various brands of 86 type stepper motors



◆ SHT200-10K



◆ SHT200P-50K

